

NEW

Engg. Drawing

(3 Hours)

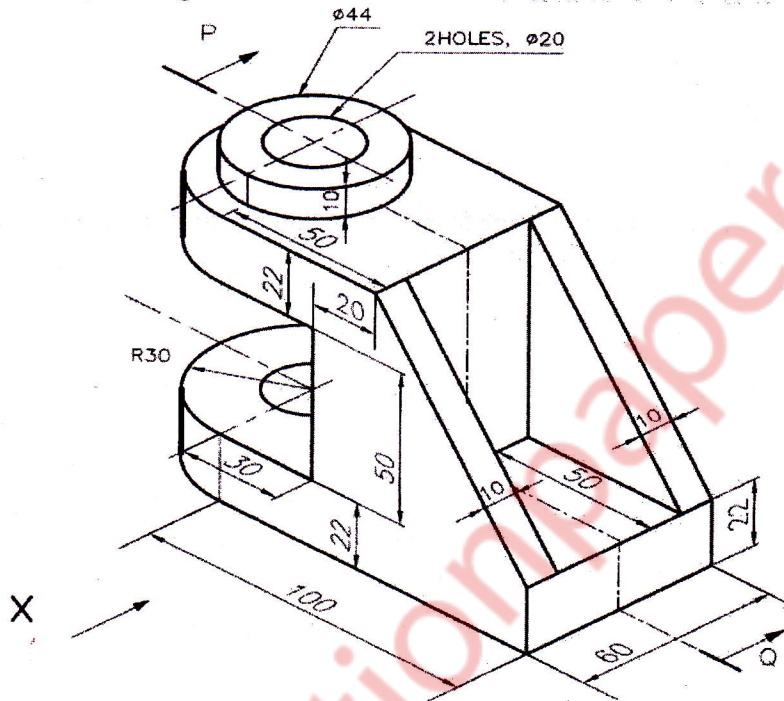
[Total Marks:60

- i) Solve any **FOUR** questions.
- ii) All dimensions are in mm.
- iii) Use first angle method of projection.
- iv) Assume suitable dimension if it is necessary.
- v) Retain all construction lines.

Q.1 Following figure shows the pictorial view of an object, draw

- i) Sectional front view along section P-Q
- ii) Top view.
- iii) Right Hand Side view

[5]
[4]
[4]



iv) Insert 10 major dimensions

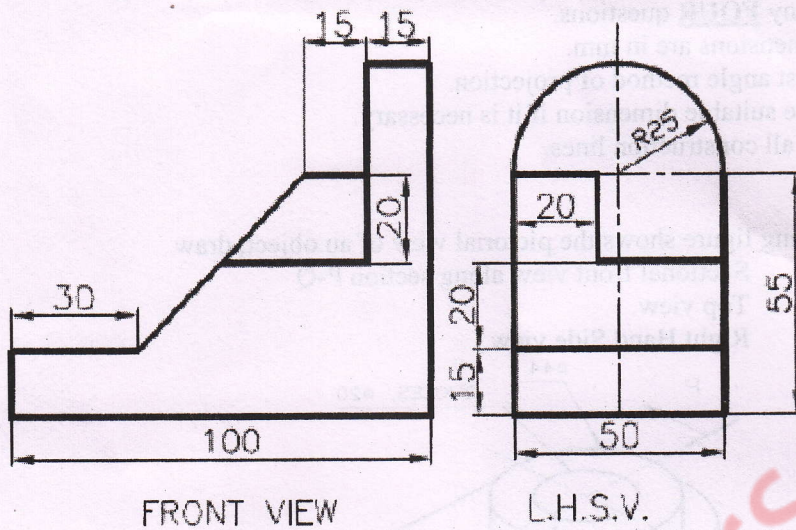
[2]

Q.2 A pentagonal pyramid side of base 35mm and height 70mm is having one of its base edge in HP with triangular surface containing this edge perpendicular to HP, parallel to VP and away from observer. Draw its projections.

[15]

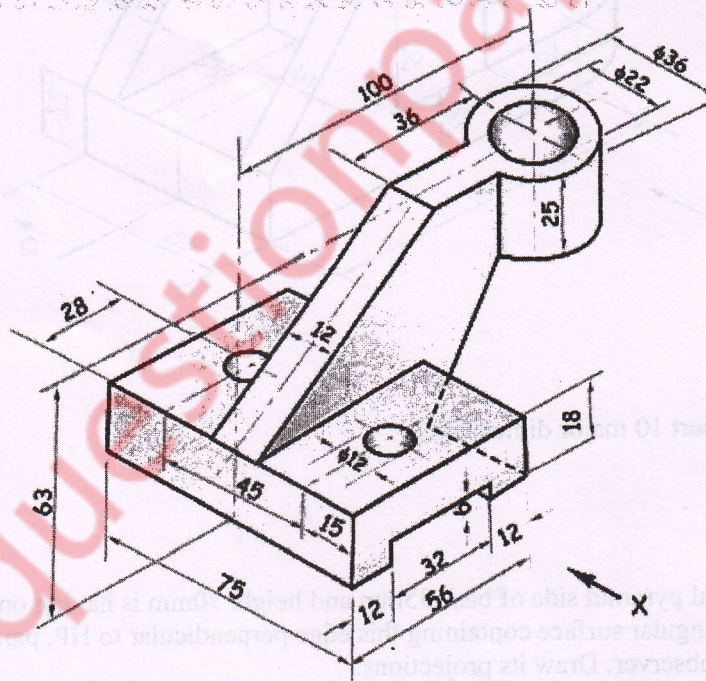
[TURN OVER

Q.3 (a) Front view and side view of an object is shown in figure, draw an Isometric View. [8]



(b) Draw the elevation and plan of a cube of side 50mm resting on one of its corner of base on HP with solid diagonal perpendicular to the VP. [7]

Q.4 (a) The pictorial view of a machine part is shown in following figure. Draw [4]
 i) Front view from X [4]
 ii) Top view [4]
 iii) Insert at least 6 Dimensions. [1]



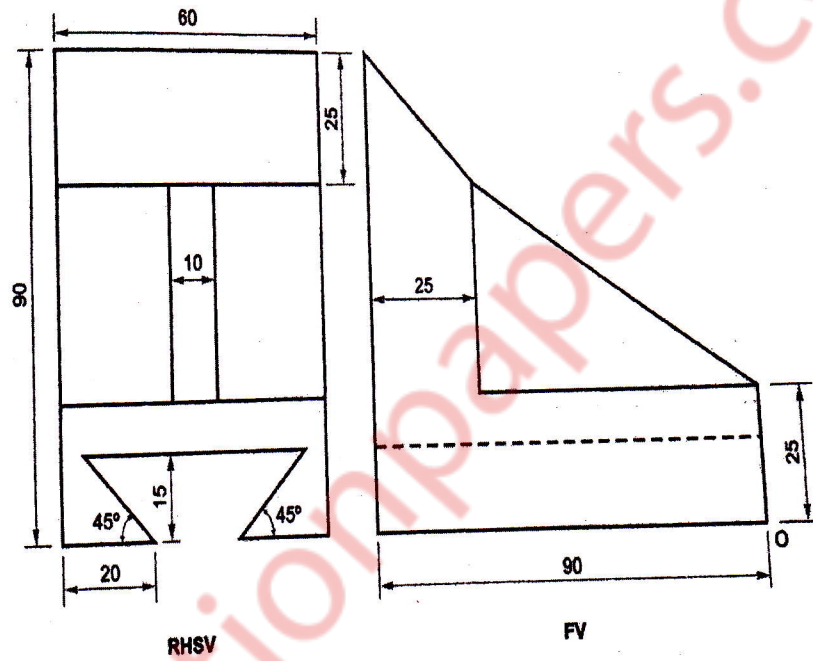
(b) Draw 1.5 revolution of a cylindrical helix of pitch 60mm on a cylinder of 50mm diameter. [6]

[TURN OVER

(choice base)

QP CODE : 21664

- Q.5 A right circular cone having diameter of base 60mm, axis length 80mm resting on its base on HP is cut by cutting plane perpendicular to VP and inclined to HP at 60° , bisects the axis. Draw its FV, sectional TV and the true shape of section. Also draw the development of lateral surface of the cone after removing the portion containing the apex. [15]
- Q6 (a) End A of line AB is in second quadrant and is 40mm and 15mm from HP and VP respectively. The line is inclined at 40° to both the reference planes. Draw its projection when end B is in third quadrant and 45mm from HP. Find true length and distance of end B from VP. [8]
- (b) Front view and sideview of an object are shown in figure, draw an isometric view. [7]



8463BEBB1C5F90DFF79EFBBFAB4001AE