

University of Mumbai

Curriculum Scheme: Rev2019

All Programs

Examination: FE Semester I/II (keep the required)_FH2022

Course Code: FEC204

Course Name: **Engineering Drawing/Engineering Graphics**

Time: 2 hour 30 minutes

Max. Marks: 60

NOTE to the Question Paper Setter:

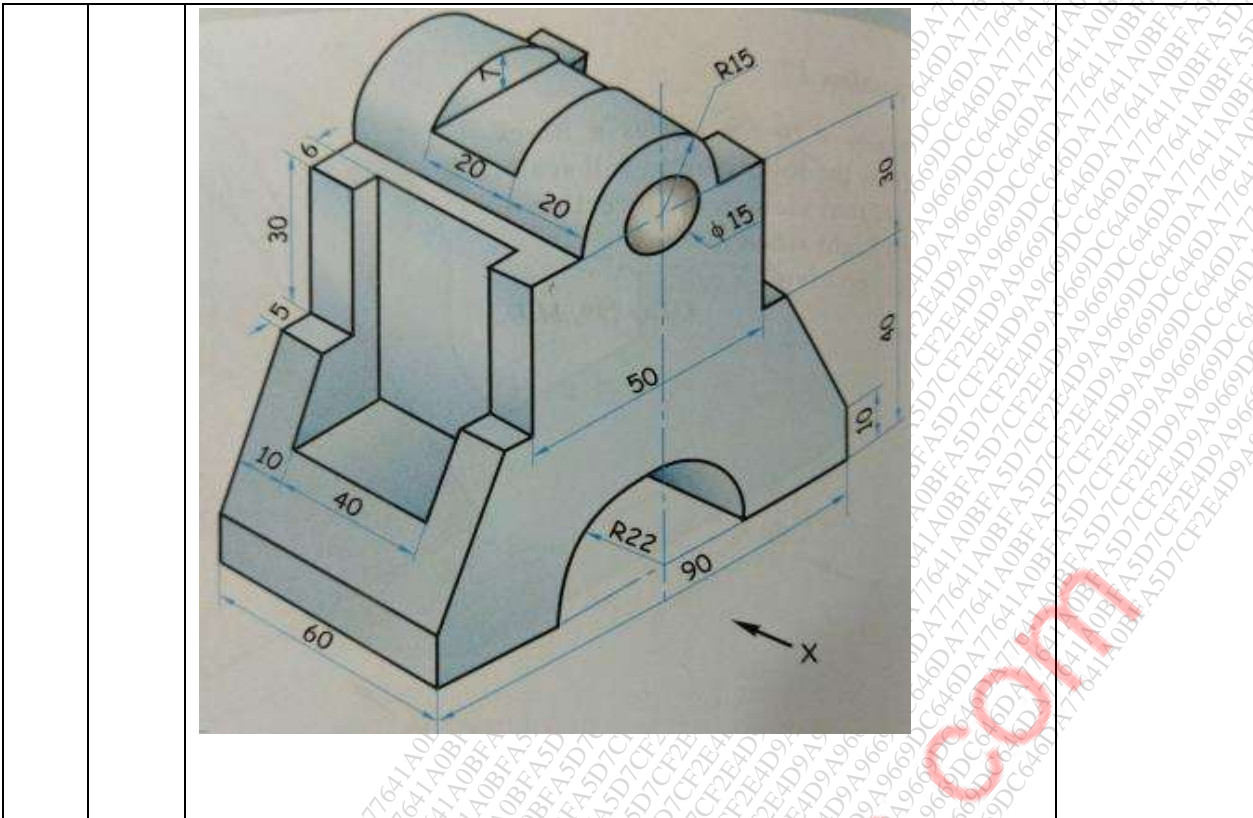
=====

=General Instructions:

General Instructions:

- i) **Solve all questions.**
- ii) **All dimensions are in mm.**
- iii) **Use the first angle method of projection.**
- iv) **Assume a suitable dimension if it is necessary.**
- v) **Retain all construction lines.**
- vi) **Line work should be in such a way that the drawings are neat and clear while scanning.**

| | | | |
|-----|-----------|--|----|
| Q1. | | Solve any One Question out of Two | 10 |
| | a. | A line AB 65 mm long has its end A 20 mm above the H.P. and 25 mm in front of V.P. The end B is 40 mm above the H.P. and 65 mm in front of the V.P. Draw the projections of AB and shows its inclinations with the H.P. and V.P. | |
| | b. | One end of an inelastic string, 120mm long, is attached to the Circumference of a circular disk of 50mm diameter. The free end of the string is wound around the disc, keeping the string always tight. Draw the locus of the free end and name the curve. | |
| Q2. | | Solve any One Question out of TWO | 15 |
| | a. | A square prism, side of base 30 mm and axis length 60 mm is kept on the H.P. on a corner of its base such that its axis makes an angle of 30 degrees to H.P. Draw the projections of the prism. | |
| | b. | Fig. shows Pictorial view of an object. Draw the following views i) Front view ii) Top view | |



Q3 Solve any One Question out of TWO 15

a. Draw Isometric view of the given FV and TV.

b. A pentagonal pyramid, 40mm edge of the base and axis height 70mm is resting on one of its corner of base on H.P. The edge opposite to the corner is parallel to and 45mm above H.P. and is parallel to V.P. Draw the projection when apex is nearer to V. P.

Q4. Fig. shows a pictorial view of an object. Draw
 i) Sectional front view along section plane A-A
 ii) Top view
 iii) Left hand side view 20

