

Analog Electronics-I

QP Code : 30569

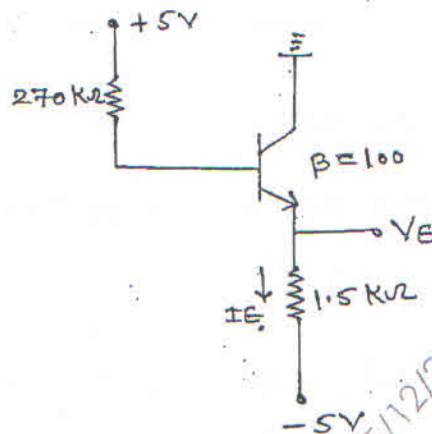
(3 Hours)

[Total Marks : 80

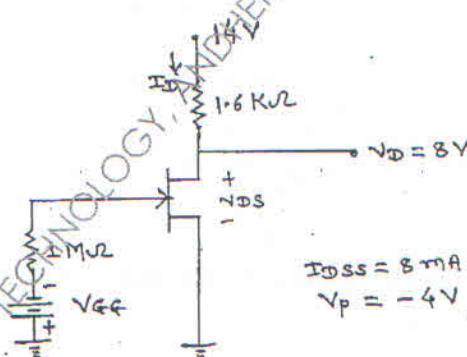
- N.B. : (1) Question No. 1 is compulsory.
 (2) Attempt any three questions out of remaining five questions.
 (3) Assume suitable data if required and mention the same in answer sheet.

1. Attempt any five questions :-

(a) Find V_E and I_E for the circuit given below.



(b) For the circuit given below find I_D , V_{DS} , V_{GS}

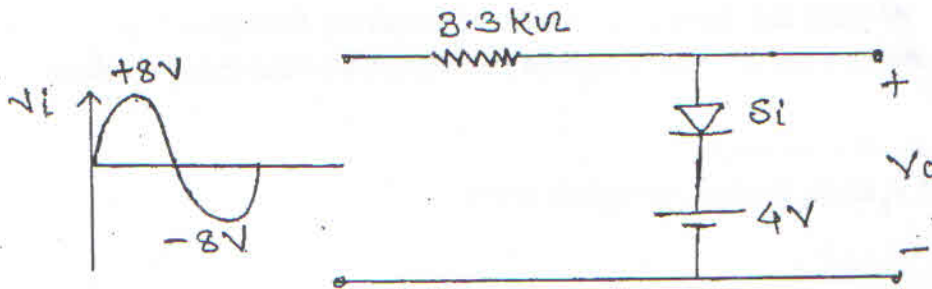


- (c) Write down current equation of diode and explain significance of each parameters.
 (d) Explain the concept of thermal runaway in BJT.

FW Con. 9416-16.

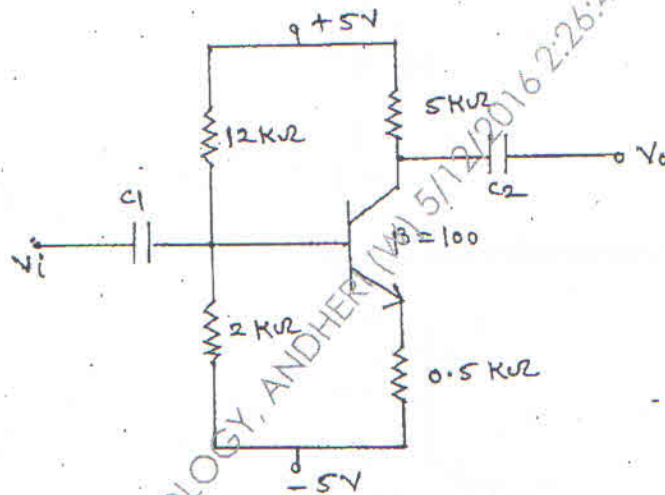
[TURN OVER

(e) Draw the output Waveform V_o for circuit shown.



(f) State and explain Barkhausen's criteria for oscillations.

2. (a) Determine Q-Print and draw d.c. load line for the amplifier shown. 10



(b) Derive the expression for frequency of oscillation for a BJT RC phase shift oscillator. 10

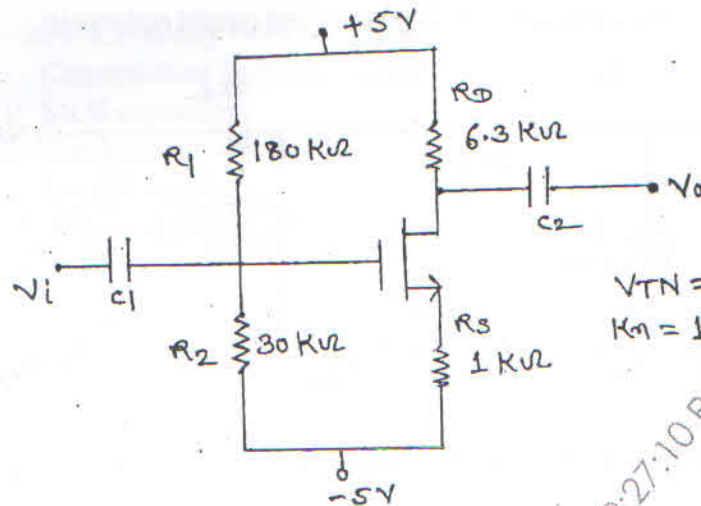
[TURN OVER

Sem III EXTC (CBGS)
Analog Ele

QP Code : 30569

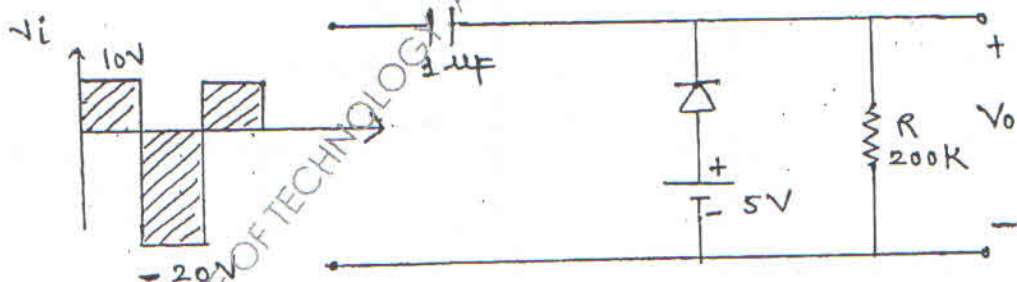
- 3 -

3. (a) Determine voltage gain, Input resistance and output resistance for the MOSFET amplifier shown. 10



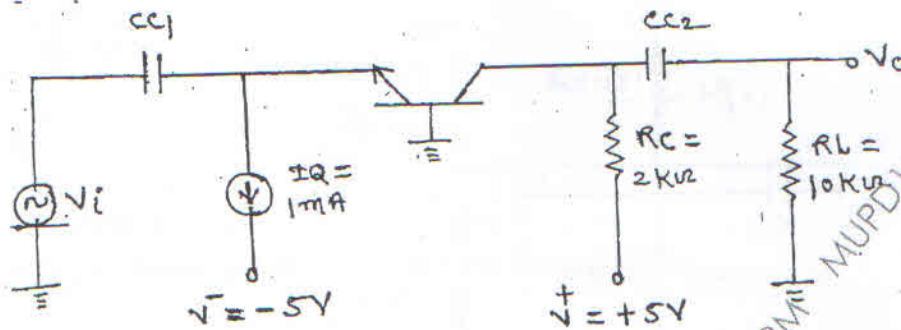
- (b) Explain the working and characteristics of n-channel Junction Field Effect Transistors (JFET) 10

4. (a) Draw the output waveform V_o for circuit shown if (i) $V_r = 0V$ (ii) $V_r = 0.7V$ 10
where V_r is cutin voltage of diode.

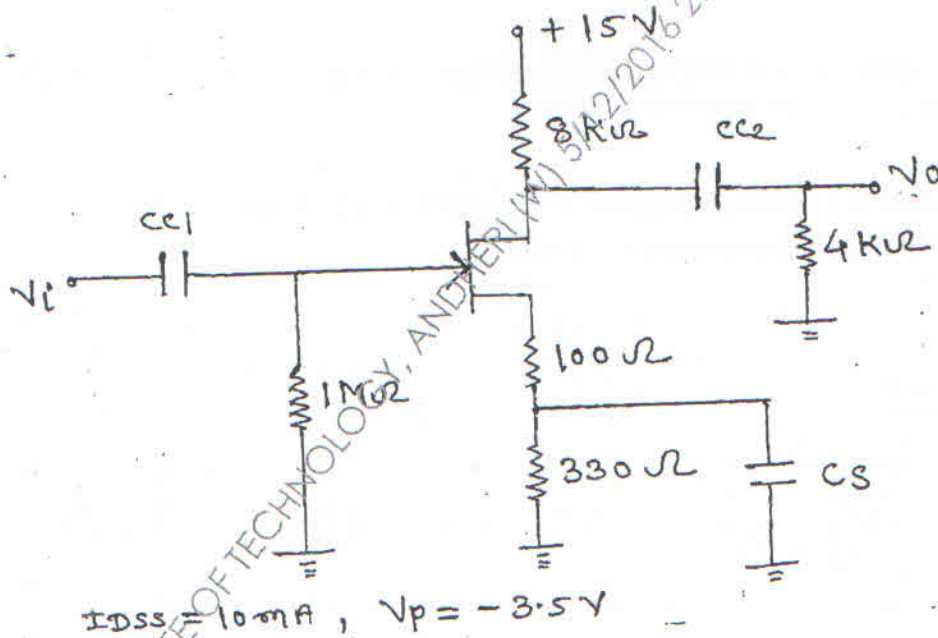


[TURN OVER

- (b) For the common base circuit shown, the transistor has parameters $\beta = 120$ and $V_A = \infty$ 10
 (i) Determine the quiescent V_{CEQ}
 (ii) Determine the small signal voltage gain and output resistance.



5. (a) For the Amplifier shown determine (i) Q point (ii) A_v , Z_i , Z_o 10



[TURN OVER

Sem-III EXTC
A.E-I

QP Code : 30569

- 5 -

(b) Derive expressions for voltage gain, input resistance and output resistance for source follower circuit using n-channel MOSFET. 10

6. Write short notes on any Four :- 20

- (i) Construction and operation of varactor diode
- (ii) MOS capacitor
- (iii) Transistor as a switch
- (iv) Crystal oscillator
- (v) Hybrid- π model of BJT

FW-Con. 9416-16.

MUPD16448 SARDAR PATEL INSTITUTE OF TECHNOLOGY, ANDHERI (W) 5/12/2016 2:27:57 PM MUPD16448 SARDAR PATEL INSTITUTE