

B.E. sem - VII (CBSEs) chemical - Process dynamics
and Control 8/12/16

QP Code : 814102

(3 Hours)

[Total Marks : 80

- N. B. : (1) Question no. 1 is **compulsory**.
(2) Answer any **three** questions from the remaining.
(3) Assume the data if necessary and specify the assumptions clearly.
(4) Answer to the sub questions of the individual questions should be grouped and written together.

- I. (a) A liquid surge tank has the following transfer function of 5

$$\left(\frac{H(s)}{Q_i(s)} \right) = \frac{10}{50s + 1}$$

The system is operating at the steady state with $q_{is} = 0.4 \text{ m}^3/\text{s}$ and $h_s = 4\text{m}$ when the inlet flow rate fluctuates as a sin wave with an amplitude of $0.1 \text{ m}^3/\text{s}$ and a period of 500sec . What is the maximum and minimum value of the level after 10min .

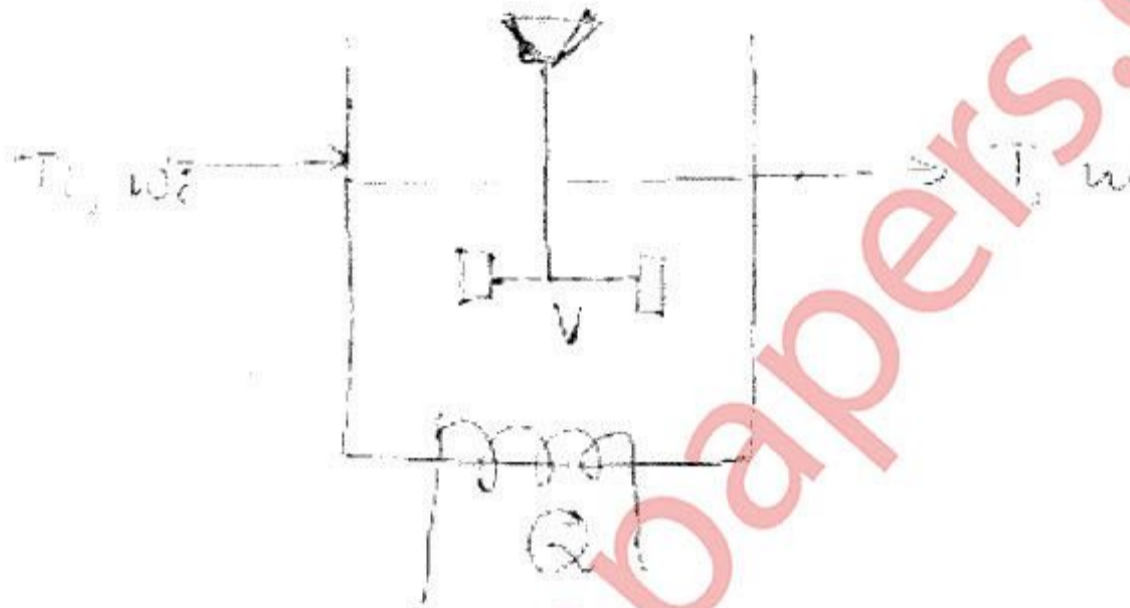
- (b) Explain phase margin and gain margin. 5
(c) Consider the following Open loop unstable process. 6

$$G_p(S) = \frac{1}{(s-2)(s+1)}$$

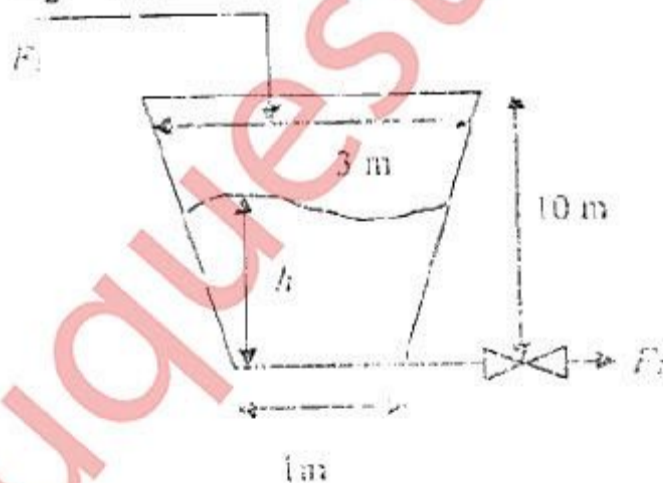
Can a PI controller stabilize the process? Justify your answer. '~

- (d) A particular system has been disturbed with a unit impulse function. 4
The response of the system in the time domain, has been found to be well described by the function $y(t) = t e^{-t}$, Determine the unit step response of the system.

- II. (a) A continuous stirred tank heating system shown in figure below. The liquid inlet stream consists of a single component with a mass flow rate W_1 and inlet temperature T_1 . The tank contents are agitated and heated using a electrical heater that provides a heating rate- Q , density and specific heat capacity of the mixture is constant. Carry out the degrees of freedom analysis, also state the disturbance and manipulated variables, for following two cases (i) hold up is constant. (ii) hold up is varying. 10



- (b) Discuss the guideline for the selection of controlled, manipulated and measured variables. 10
- III. (a) Derive the transfer function between liquid level and the inlet stream for the figure mentioned below and outlet flowrate is given by $F_2 = h/3$? 10



- (b) What conditions must be satisfied by a two tank non interacting system to exhibit a critically damped response. 5
- (c) Develop dynamic model for blending process. 5

[TURN OVER

IV. (a) A unity feedback system has

15

$$G(s) = \frac{100}{S(s+0.5)(s+10)}$$

Draw the asymptotic Bode plot. Determine Gm, Pm, wgc, wpc and comment on stability.

(b) Derive the transfer function of P, PI, PID controllers.

5

V. (a) For a unity feedback system

10

$$G(s) = \frac{k}{S(s+4)(s+2)}$$

Sketch the root locus showing all details on it. Comment on the stability of the system.

(b) Using Routh Criteria determine the limits of Kc for the stability of the system with the following open loop transfer function:

10

$$G(s) = \frac{kc}{(s+1)(0.5s+1)\left(\frac{s}{3}+1\right)}$$

VI. Write a short notes on:

20

- Discuss in brief discrete time dynamic model
- Explain Nyquist-Stability criteria
- Explain Ziegler-Nichols controller settings
- Explain Servo and Regulatory control.